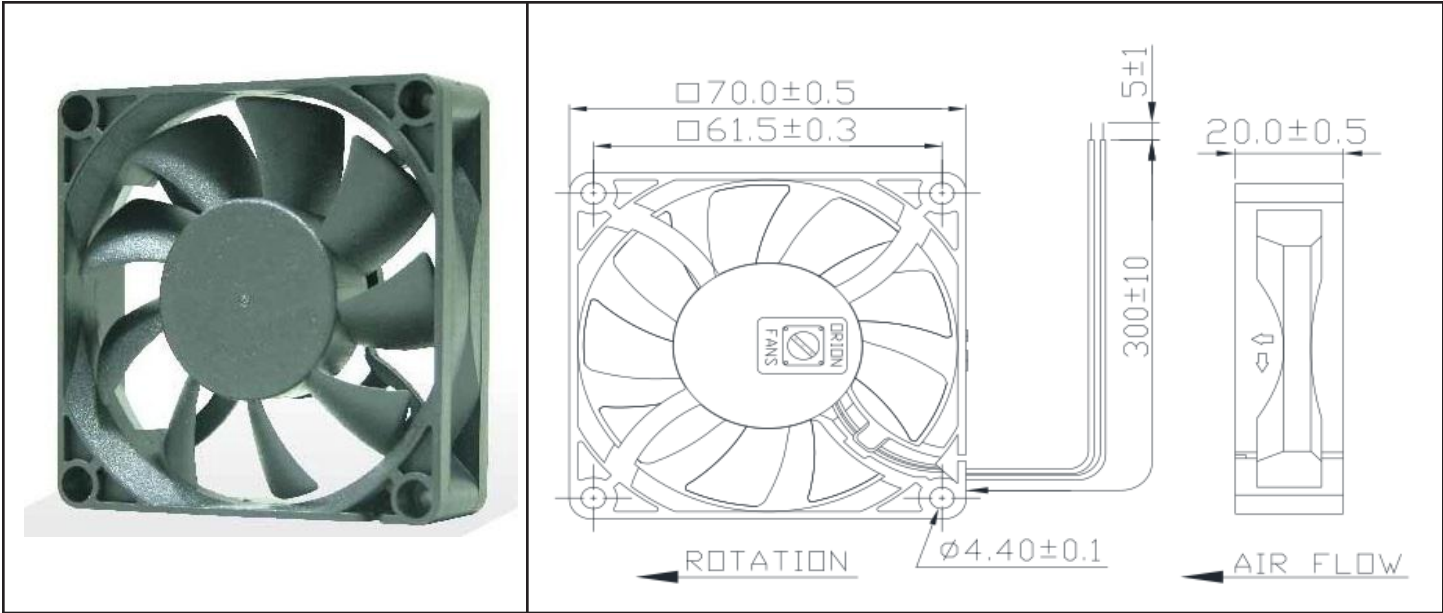


OD7020-12HB



DC Fan, 12VDC
70x20mm (2.76x.79in)



Frame & Impeller	PBT, UL94V-0 plastic	Available Options ThermalControl IP55 Other speeds and voltages Tachometer PWM *Connection: Wire Leads - UL1007 24AWG Red(+), Black (-), Weight: 62 g	
Connection	2x Lead wires *		
Motor	Brushless DC, auto restart, polarity protected.		
Bearing System	Dual ball bearing		
Insulation Resistance	Min. 10M at 500VDC		
Dielectric Strength	1 second at 500VAC max leakage 500 microamp		
Temperature Range	-10C ~ +70C		
Storage Temperature	-40C ~ +80C		
Life (L10)	70,000 hours (40C)		

Model Number	OD7020-12HB
Part Number	113141001
Nominal Voltage	12 VDC
Voltage Range	7~13.2 VDC
Nominal Current	.35 A
Rated Power	5.2 Watts
Rated Speed (RPM)	4500
Airflow (CFM)	41
Noise Level (dB)	41.5
Max. Static Pressure	.26 "H ₂ O